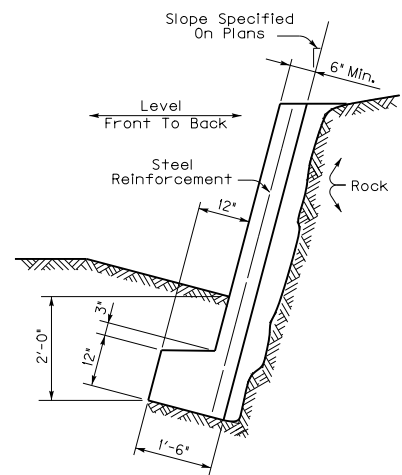
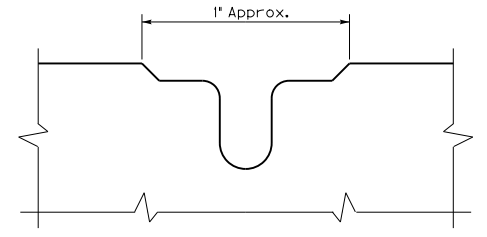


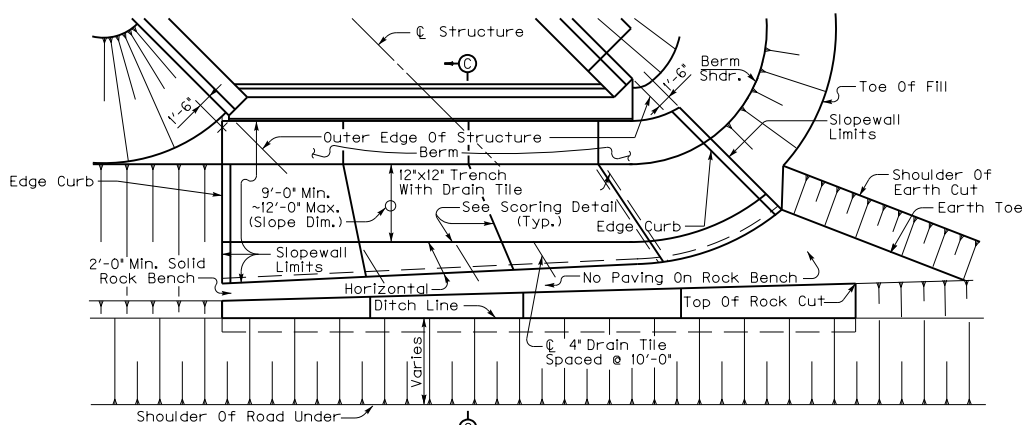
PLAN
ROUTE UNDER IN FULL EARTH CUT



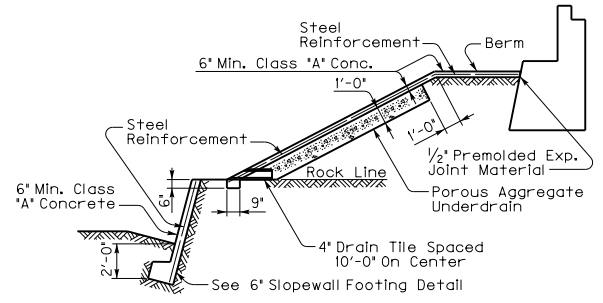
STEEP SLOPE SECTION
6" CONCRETE SLOEWALL



SCORING DETAIL
(Score With Approved Grooving Tool)



PLAN
ROUTE UNDER IN ROCK CUT AND EARTH CUT
ROUTE OVER ON FILL



SECTION C-C

Work This Drawing With Drawing No. BGX-004

KENTUCKY		
DEPARTMENT OF HIGHWAYS		
CONCRETE SLOEWALLS		
FOR GRADE		
SEPARATION BRIDGES		
STANDARD DRAWING NO. BGX-005-09		
SUBMITTED	<i>[Signature]</i> DIRECTOR, DIVISION OF BRIDGE DESIGN	12-01-99 DATE
APPROVED	<i>[Signature]</i> STATE HIGHWAY ENGINEER	12-01-99 DATE